

Home Checklist

for pool owners to prepare for a pool fencing inspection



on when your swimming pool/swimming pool fencing was issued with a Building Permit, Building Consent, Code Compliance Certificate or Certificate of Acceptance, will depend which legislation relates to your property.

All swimming pool/pool fencing that received the above certification **prior to 1 January 2017**, is subject to the Fencing of Swimming Pools Act 1987. There are some variations that relate to this legislation.

All swimming pool/pool fencing that receive the above certification **after 1 January 2017**, is subject to Section 162 of the Building Act 2004 and Clause F9 of the Building Code.

Pool Area

The pool area must only contain the pool/spa pool and items relating to the pool (i.e. no washing lines, trampolines or vegetable gardens). A BBQ area and seating is allowed.



Fencing

Pool fencing height must be 1.2m high from the outside level of the fence.



Fence gaps between railings should be no more than 100mm.



The gap at the bottom of the fence shall be no greater than 100mm.



Ensure no climbable projections or objects are within 1.2m of the top if the pool fencing.



Mesh fencing: Check your mesh diameter openings are compliant if you have used mesh in your fence, i.e. for a 1200mm high fence, the opening diameter shall be no more than 10mm. Any rails, rods or wires forming part of a pool barrier that are not themselves vertical shall be at least 900mm apart vertically to restrict climbing.



There are no horizontal supports or braces on the outside of the fence/barrier that are less than 900mm apart (top to top). The top surface of the lowest level horizontal shall be at least 1000mm below the top of the fence.



Keep a 300mm clear zone inside the pool area if spacing between palings is greater than 10mm in width.



Boundary Fencing

If a boundary fence forms part of the pool barrier, there must be at least 1000mm between the waters edge and the fence. This must be at least 1800mm in height on the pool side (1200mm in height is acceptable under the Fencing of Swimming Pools Act) and have a 900mm non climbable area from the top of the fence.



Where a 1200mm pool fence intercepts a 1800mm high boundary fence, the 1200mm pool fence must be extended to 1800mm in height and 900mm horizontally out from that boundary fence. Or, the top of the 1200mm fence will require the top capping to have a diagonal slope which must be a minimum of 60 degrees and have no flat surface greater than 10mm for it to not be considered a step for a child gaining access from the above 1800mm boundary fence.



Pool Gate

Pool gate should be self-closing and latching (i.e., have a spring system to automatically shut and latch).

Latch should be situated 1.5m minimum from the ground.

The inside latches are not accessible by reaching through the gate unless the hand hole in the gate/door is at least 1200mm from the ground/finished floor level and the latch is a minimum of 150mm from the hand hole. If there is no hand holes, the inside latch must be a minimum of 150mm from the top of the gate.

There are no objects near the gate that can hold it open, and no means of keeping them open is provided.

Swing direction of gate should be away from the pool and not into the pool area.

Check the gate cannot be lifted off its hinges. Does the latch continue to hold when you try and lift the gate?

Hinged/Sliding Doors Section into the Pool Area

After 1 January 2017: Doors that provide access into the immediate pool area shall be single leaf doors that are not more than 1000mm in width. These doors can be side hinged or sliding.

Before 1 January 2017: Doors providing access shall have:

- a) Either a self-closing device or an audible alarm, and
- b) A self-latching device that automatically operates on the closing of the door and that must be released manually, and
- c) The release for the latching device is not less than 1500mm from the floor, and
- d) A sign fixed adjacent to the inside door handle at a height between 1200mm and 1500mm stating "Swimming Pool. Close the Door".

Windows Opening into the Pool Area

Should have an opening limiter in place to restrict the window opening to 100mm maximum.

Or the lower edge of the opening is no less than 1200mm above the floor inside the building with no projections or handhold underneath of more than 10mm.

Or there is a permanently fixed screen over the opening that a 100mm Sphere cannot pass through.

Balconies Above the Pool Area

When the floor of a balcony is more than 2.4m vertically above the immediate pool area the barrier needs to only comply with clause F4 of the Building Code providing there are no projections within 1200mm below the top of it (such as a wall, stairs or landscaping feature) that could assist a child to climb down.

Balconies with a floor level less than 2.4m must comply with pool fencing requirements.

Small Heated Pools and Covers

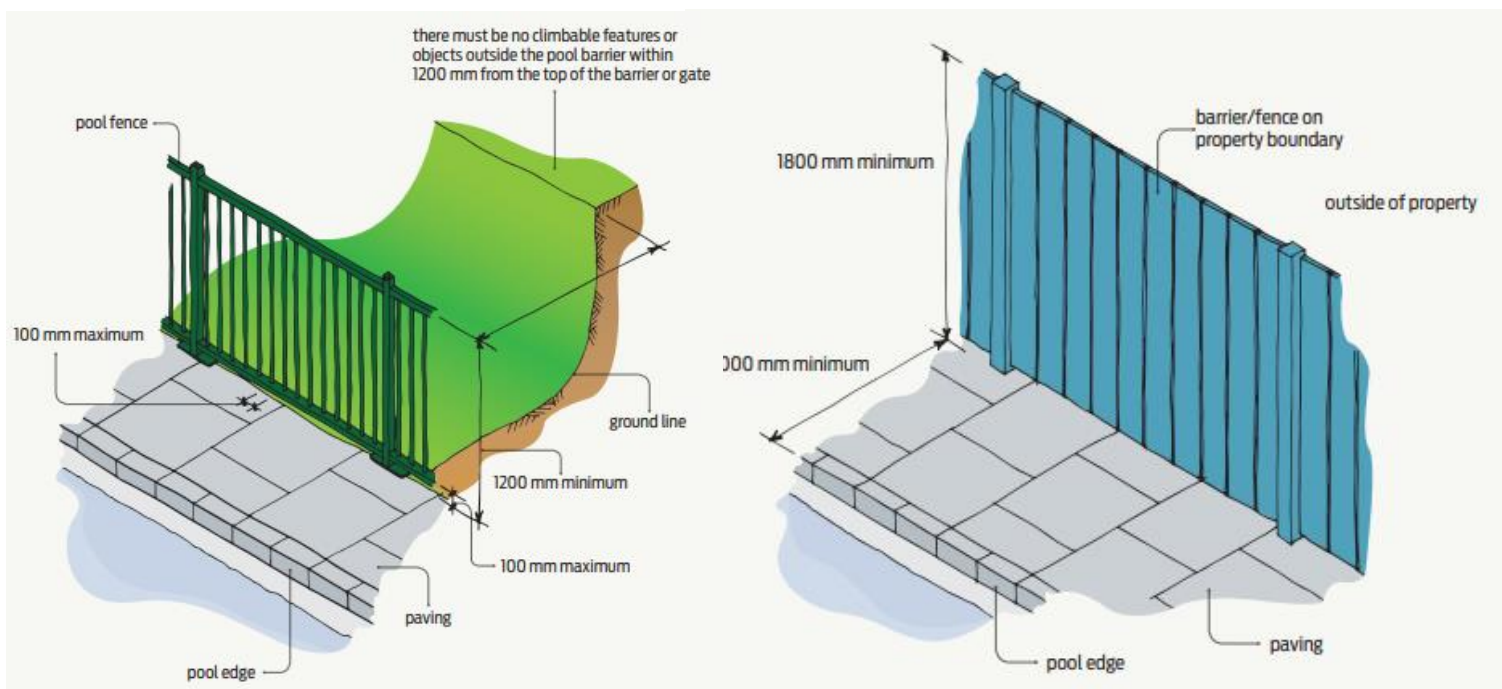
A small heated pool/spa pool may use a hard top cover to provide access to the pool only if the following exists;

- It contains a water surface area of 5 metres squared or less and have walls that are 760mm above ground level.
- There are no external objects or projections within 760mm of the top edge that could assist climbing.
- The cover can support a weight load of 20kgs from the centre of the cover.
- The cover is held in place with straps fitted with lockable snap fasteners, having a width of 33mm on their main body (metal padlocks may be used instead of lockable snap fasteners).
- Hold down straps and fasteners shall be capable of maintaining the cover in place so there is no opening greater than 100mm.



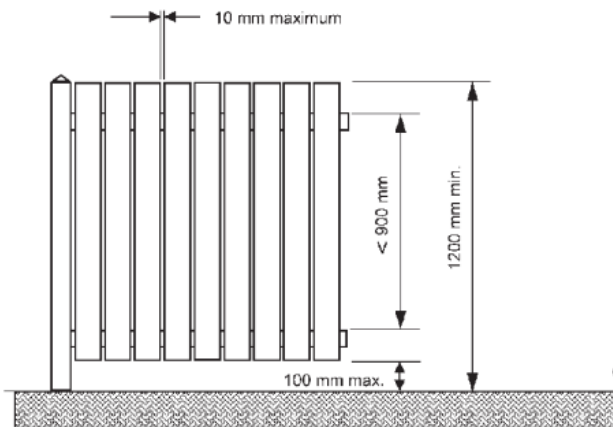
For more information see:

- [Western Bay of Plenty District Council website](#)
- [Building Code Clause F9 – Restricting access to residential pools.](#)
- Diagrams on following pages from [Acceptable Solutions F9/AS1 and F9/AS2](#)

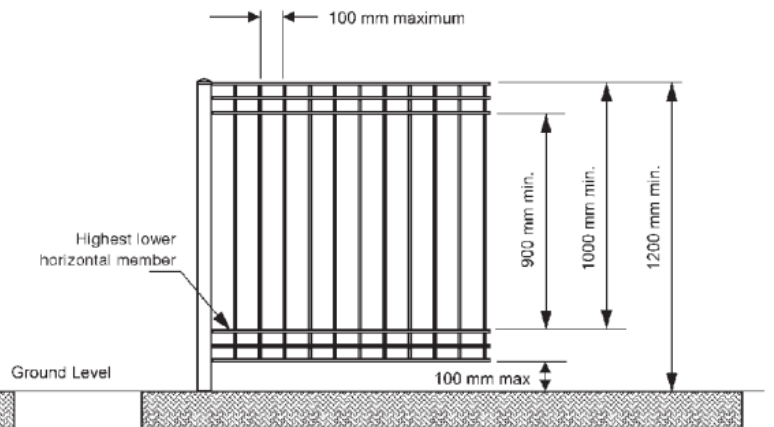


Diagrams

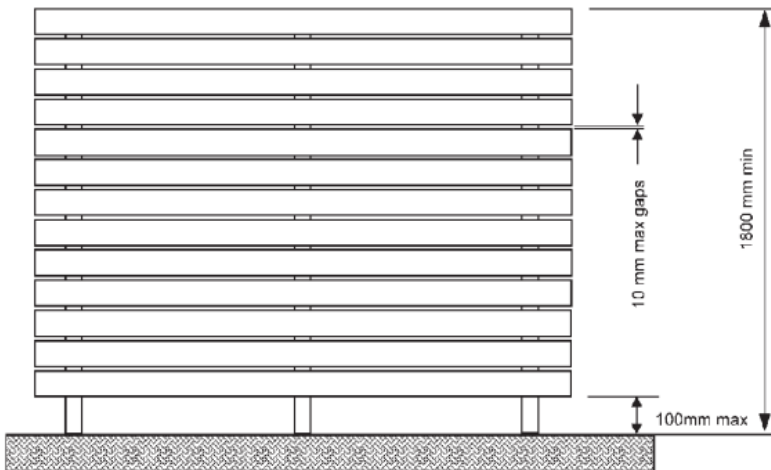
Acceptable Pool Barriers



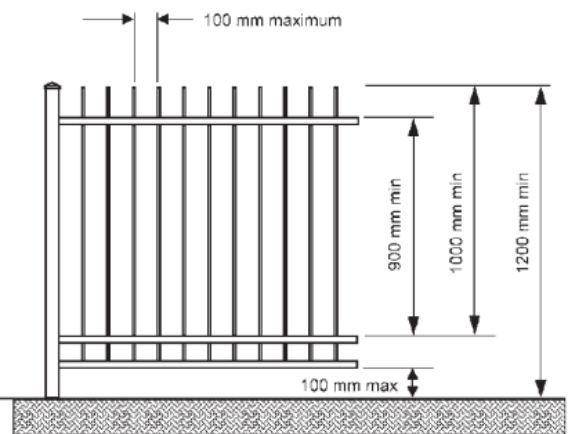
(a) Rails inside, but with uprights spaced not more than 10 mm apart.



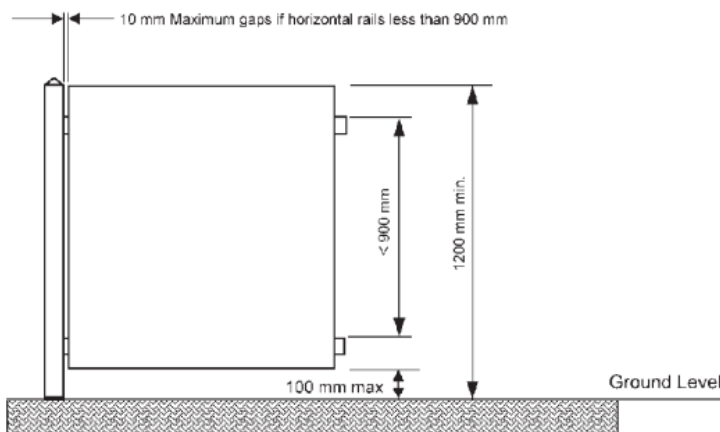
(b) Rails on outside, but with uprights spaced not more than 100 mm apart.



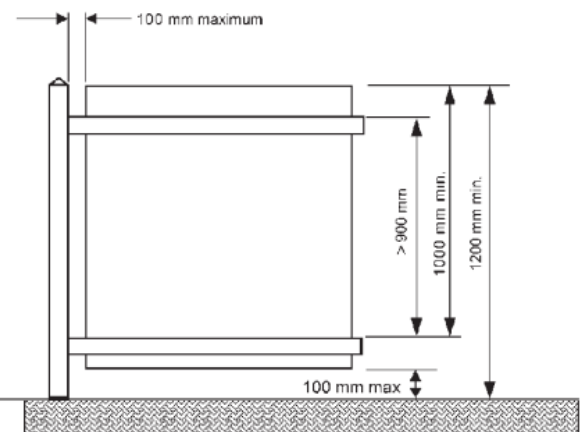
(c) Horizontal fencing with spacing of not more than 10 mm.



(d) Fencing with several horizontal members, such as welded construction.



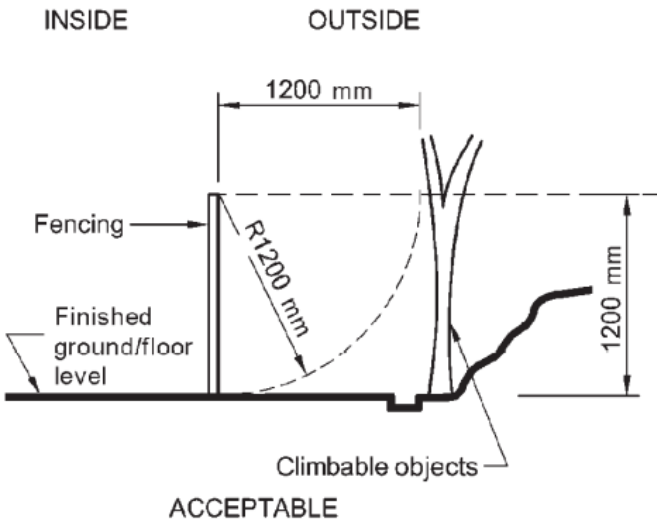
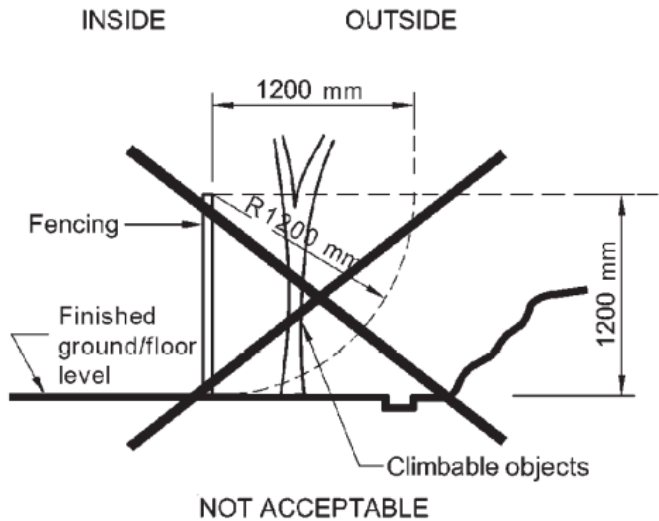
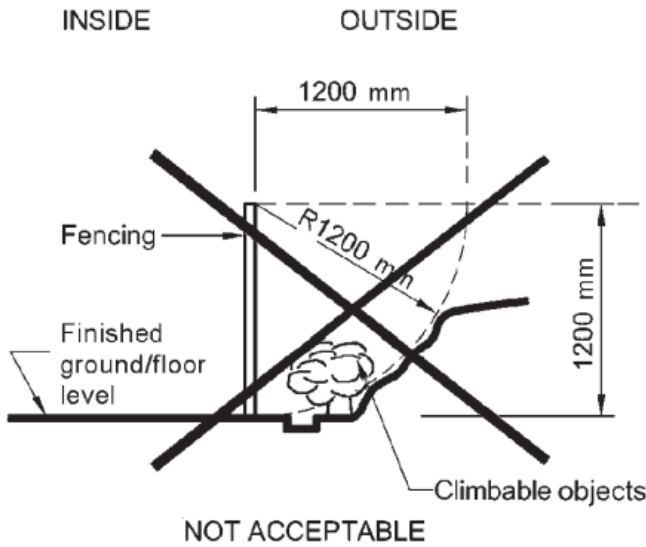
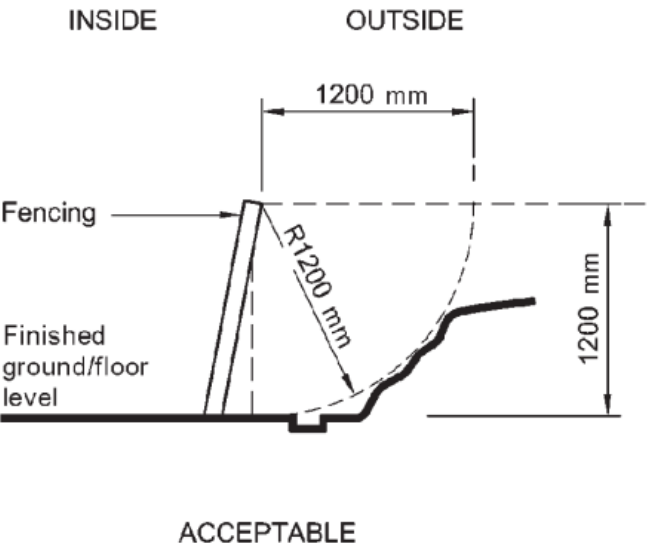
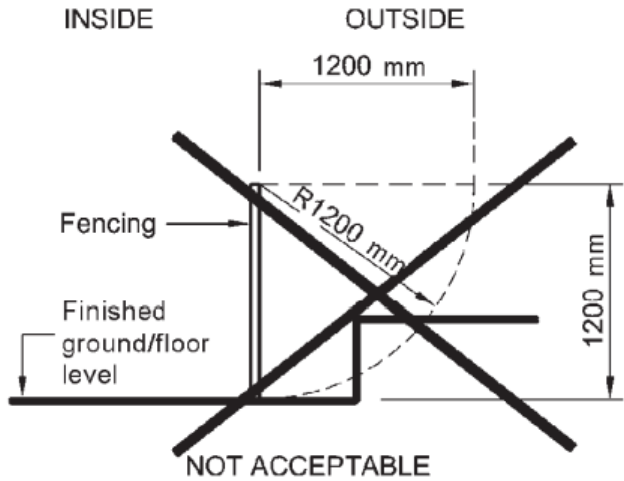
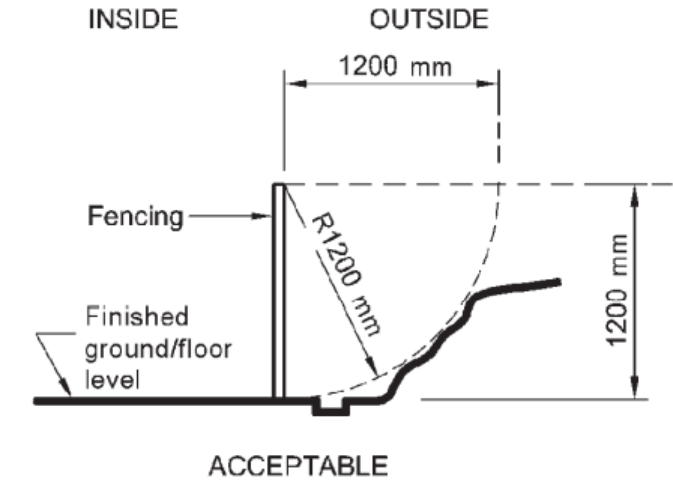
(e) Solid panel type barrier.



(f) Solid panel type barrier with rails on outside.

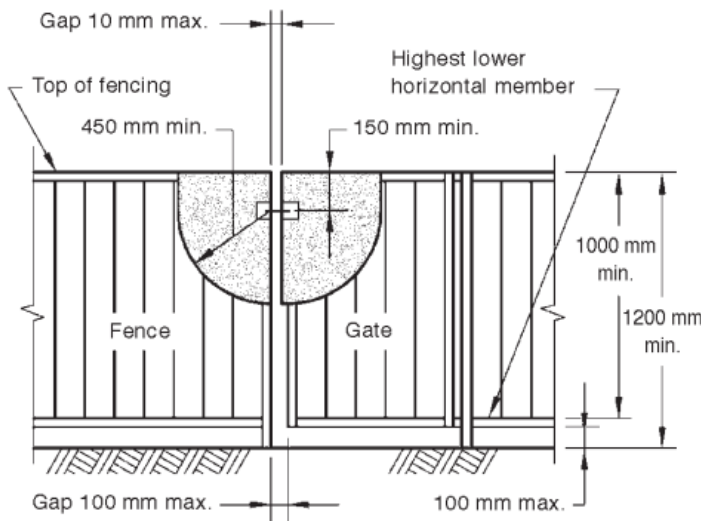
Diagrams

Determining Pool Barrier Height

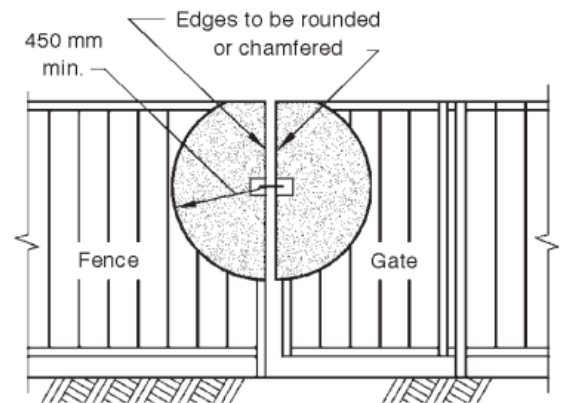


Diagrams

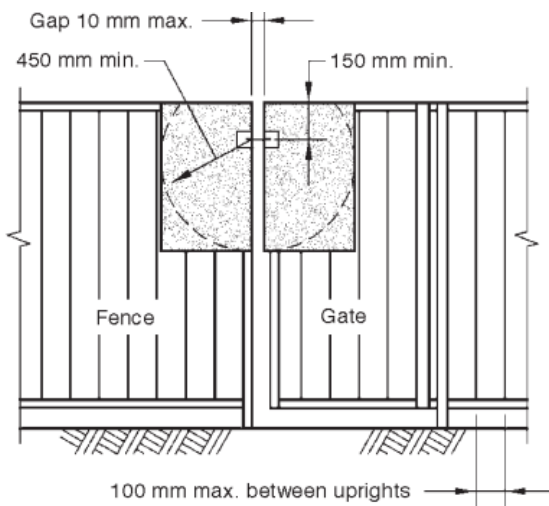
Acceptable Means of Protecting a Latch as viewed from the Pool Side



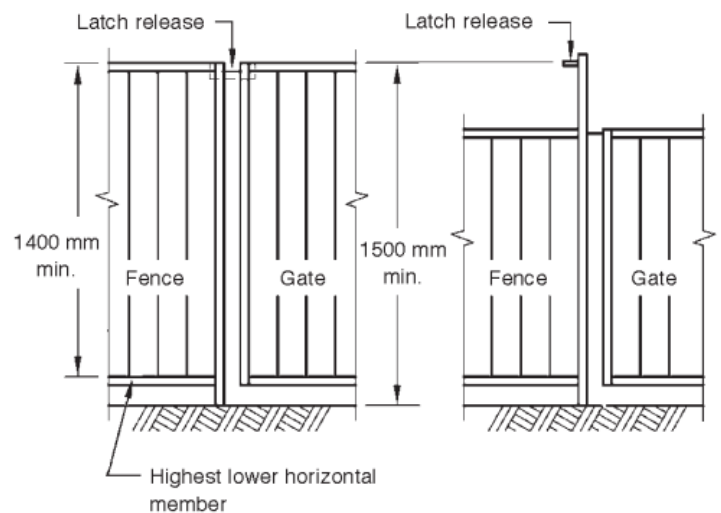
(a) Basic requirements



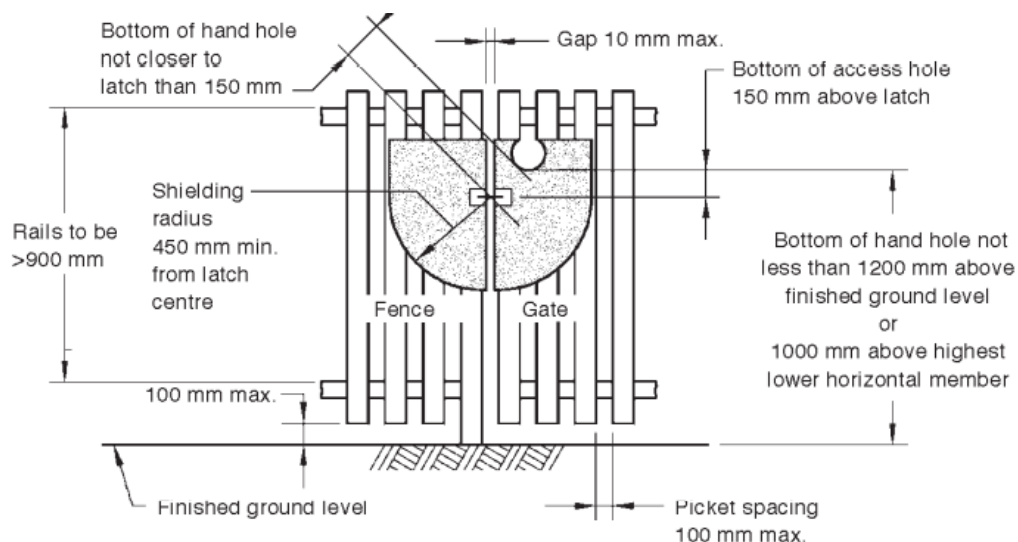
(b) Latch more than 150 mm below top of fence (shielding is centred on latch)



(c) Shield larger than minimum size



(d) Shield not required for latch or release located at 1500 mm or higher.



(e) Hand hole provided in fence or gate